

**T10Z5712DC-CS**  
**10X 5.7~57mm F1.2**  
**for 1/3" format cameras**  
**CS-Mount**

Model No.	T10Z5712DC-CS		Effective	Front	φ45.0 mm
Focal Length	5.7~57mm		Lens Aperture	Rear	φ8.6mm
Max. Aperture Ratio	1 : 1.2		Back Focal Length	8.5 mm	
Max. Image Format	4.8 x 3.6mm (φ6mm)		Flange Back Length	12.5 mm	
Operation Range	Iris	F1.2 ~ 560	Mount	CS-Mount	
	Focus	1.8m ~ Inf.	Filter Size	M49 P=0.75 mm	
	Zoom	5.7~57mm	Tripod Screw	1/4"-20UNC	
Control	Iris	DC Auto Iris(by galvanometer)	Dimensions	W68.5 x H76.3 x D88mm	
	Focus	Motorized	Weight	460g	
	Zoom	Motorized			
Object Dimension at M.O.D.	5.7mm	37.1 x 27.9cm			
	57mm	3.8 x 2.9cm			
Angle of View	D		54.2~5.9°		
	H	1/3"	44.6~4.8°		
	V		34.2~3.7°		
Control	Focus		Zoom		
Supply Voltage	DC8V		DC8V		
Current	20mA or less		20mA or less		
Response Time	Approx. 3 sec.		Approx. 3.5 sec.		
Preset Potentiometer	-		-		
Iris	Drive Coil	190Ω			
(DC Auto Iris)	Control Coil	1000Ω			
Operating Temperature	-10°C ~ +50°C				

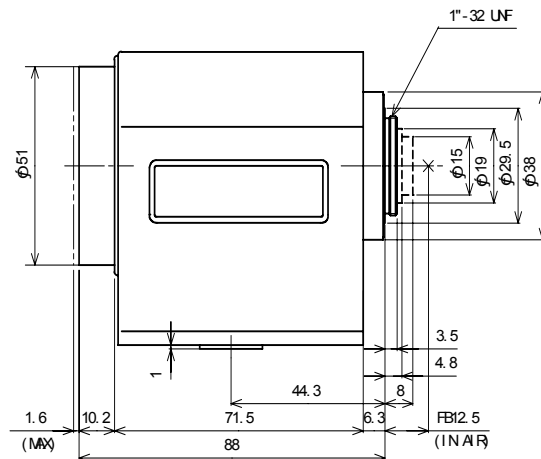
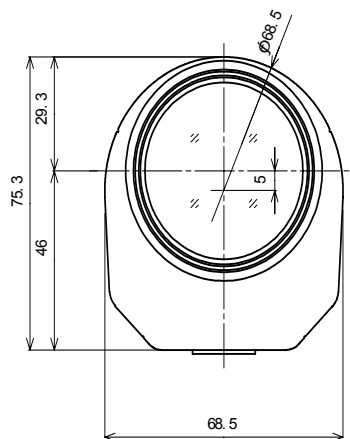
**1/3**

**CS**

**ZA**

M.O.D. : Minimum Object Distance

Dimensions

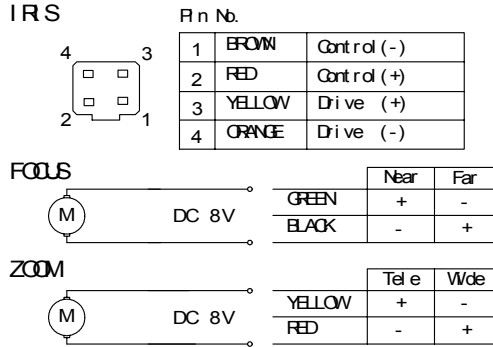


**(B&W)**

**(B&W)**  
 Using with a B/W camera, Please use the attached "B/W aberration compensation Filter" and "FB compensation Spacer". the filter (M20 P=0.5mm) should be screwed onto the lens from rear side and the spacer should be placed between lens and camera.

**T10Z5712DC-CS**  
**10X 5.7~57mm F1.2**  
**for 1/3" format cameras**  
**CS-Mount**

Wiring Diagram



Remarks: Connect together with Black(Focus) and Red(Zoom) for common system when necessary.