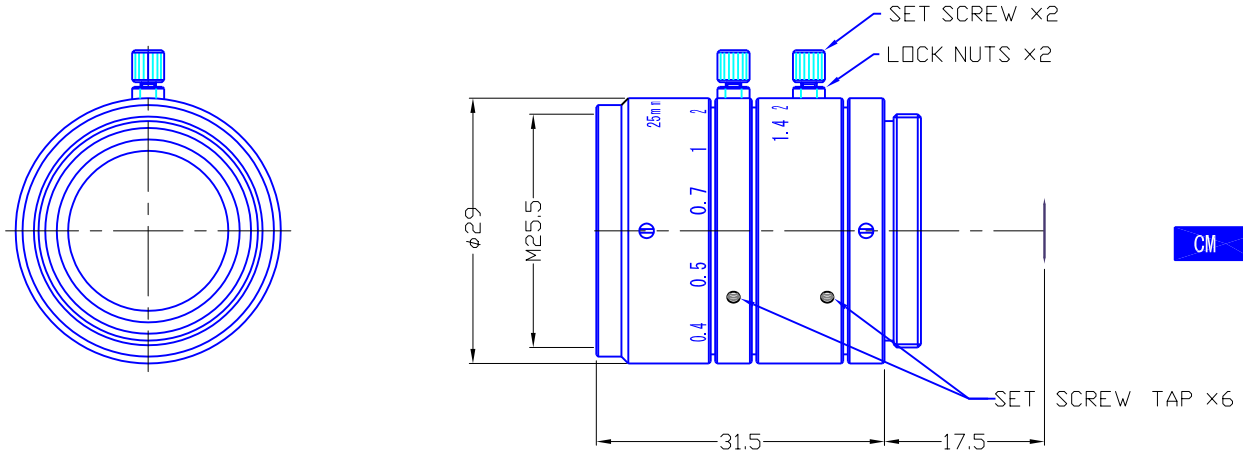


Type	MANUAL MONO		Mount	C		
Focal Length	25mm		Back Focus	13.13mm		
Fno.	F1.4		Mechanical Bf	12.92mm		
Designed Image Format	2/3"(6.6x8.8mm)		Exit Pupil	-32.67mm		
Operation Range	Iris	F1.4-16	Filter Size	-		
	Focus	0.25m ~ infinity	Aperture	Front	∅17.0mm	
	Zoom	-		Rear	∅12.8mm	
Control	Iris	Manual	TV Distortion	-0.3%		
	Focus	Manual		Vignetting	-38%	
	Zoom	-				
Object Size at MOD	54.1 x72.1mm		Dimension	∅29x31.5mm		
	-		Weight	45g		
Field of View	V	15.1°	1/2"	11.0°		
	H	20.1°		14.6°		
	D	24.9°		18.2°		
Operating Temperature	-10 ~ +50 Celsius					

2/3"

C

### DIMENSIONS



CM

### MAGNIFICATION

( ) : 14" MONITOR TV	O/I = 2000mm : -0.01281X (0.41X)	O/I = 400mm : -0.07028X (2.27X)
	O/I = 1000mm : -0.02619X (0.84X)	O/I = 300mm : -0.09788X (3.16X)
	O/I = 700mm : -0.03814X (1.23X)	O/I = 250mm : -0.12195X (3.94X)
	O/I = 500mm : -0.05485X (1.77X)	