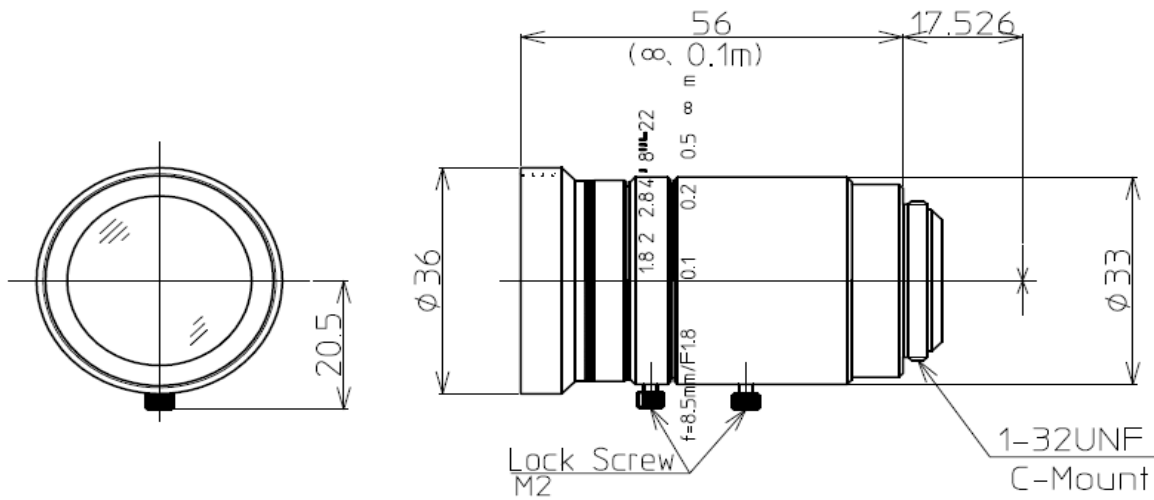


LM8JC10M



2/3" 1.8/8.5mm C		1/2"	1/3"
FOCAL LENGTH	f=8.5mm		
MAX. DIAMETER (RATIO)	F=1:1.8~22		
ELEMENT	9 GROUPS 11 ELEMENTS		
PICTURE SIZE	6.6x8.8mm	4.8x6.4	3.6x4.8
ANGLE	VER. ANGLE	41.9°	31.2°
	HOR. ANGLE	54.0°	40.8°
	DIA. ANGLE	64.6°	49.8°
DISTORTION (TV)	0.31%		
SHOOTING RANGE AT	VER.	99.6mm	72.2mm
MINIMUM FOCUS	HOR.	133.2mm	96.5mm
DISTANCE	DIA.	166.5mm	121.0mm
MINIMUM FOCUS DISTANCE	0.1m		
FLANGE BACK	17.526mm in air		
BACK FOCUS	12.1mm in air		
FILTER SCREW SIZE	M34x0.5		
FRONT/REAR EFFECTIVE DIA.	FRONT ϕ 26.7mm		REAR ϕ 13.1mm
MOUNT	C-MOUNT		
EXIT PUPIL	-128.2		
TEMPERATURE RANGE	-10~+50° C		
STORAGE TEMPERATURE RANGE	-20~+60° C		
RESOLUTION CENTER/CORNER	CENTER 200lp/mm		CORNER 160lp/mm
LENS COATING	WIDE BAND MULTI COATING		
WEIGHT	115 g		