

## H16Z7516AMSPR

16X 7.5~120 mm F1.6  
for 1/2" format cameras  
C-Mount

With Over-ride Manual & Preset

Model No.	H16Z7516AMSPR		Effective	Front	φ 66.4 mm
Focal Length	7.5~120mm		Lens Aperture	Rear	φ 13.5mm
Max. Aperture Ratio	1 : 1.6		Back Focal Length	14.0 mm	
Max. Image Format	6.4 x 4.8mm (φ 8mm)		Flange Back Length	17.526 mm	
Operation Range	Iris	F1.6 ~ 560	Mount	C-Mount	
	Focus	1.5m ~ Inf.	Filter Size	M72 P=0.75 mm	
	Zoom	7.5~120mm	Tripod Screw	1/4"-20UNC	
Control	Iris	Auto Iris(by galvanometer)	Dimensions	W82 x H96.4 x D149mm	
	Focus	Motorized, Preset	Weight	1070g	
	Zoom	Motorized, Preset			
Object Dimension at M.O.D.	7.5mm	129.2 x 95.5cm			
	120mm	8.4 x 6.3cm			
Angle of View	D	57.2~3.9°	1/3"	43.8~3.0°	
	H	46.6~3.2°		35.3~2.4°	
	V	35.3~2.4°		26.6~1.8°	
Control	Iris		Focus		Zoom
Supply Voltage	DC8.5 ~ 16V		DC8V		DC8V
Current	50mA or less		45mA or less		35mA or less
Response Time	Approx. 2 sec.		Approx. 3.5 sec.		Approx. 3.5 sec.
Preset Potentiometer	—		5KΩ VR		5KΩ VR
Light Weighting Method	Adjustable between Average - Peak ( to be set at Average at factory )				
Remote Control	Level Remote / Over-ride Manual				
Input Signal	Video Signal ( V or VS )				
Iris Accuracy	± 15% at Video Signal Level				
Sensitivity Adjustment	0.5~1.0Vp-p ( Video Signal )				
Input Impedance	High Impedance				
Operating Temperature	-10 ~ +50°C				

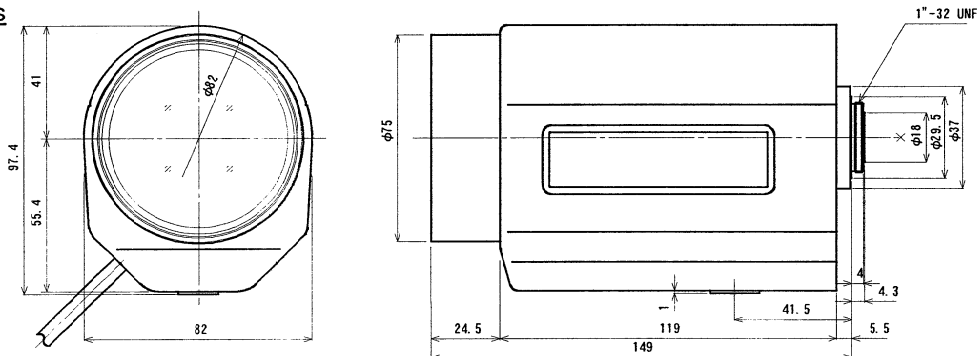
1/2

C

ZA

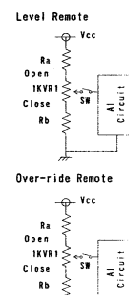
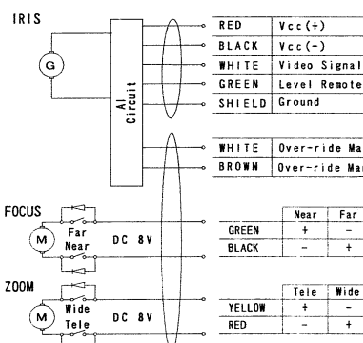
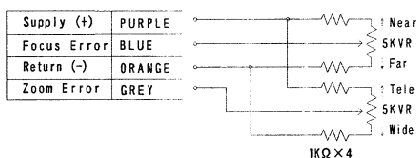
M.O.D. : Minimum Object Distance

### Dimensions



### Wiring Diagram

#### PRESET POTENTIOMETER



\* The Remote Voltage should be set between 1.5~5.5V, and Level remote should be OFF.

Remarks: Connect together with Black(Focus) and Red(Zoom) for common system when necessary.