
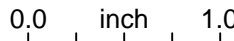
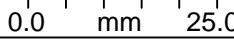

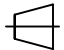


# OUTLINE

UNLESS OTHERWISE SPECIFIED DIMENSIONS ARE IN INCHES AND INCLUDE CHEMICALLY APPLIED OR PLATED FINISHES		THE CONTENTS OF THIS DOCUMENT ARE PROPRIETARY TO NAVITAR. ITS USE IS AUTHORIZED ONLY FOR RESPONDING TO REQUEST FOR QUOTATION OR PERFORMANCE OF WORK FOR NAVITAR		 ROCHESTER, NEW YORK	
SCALE:	1:1	0.0    inch    1.0  0.0    mm    25.0 		1X ADJUSTABLE ADAPTER	
WEIGHT:	0.419 LBM			SIZE	<b>1-6218</b> SHEET 2 OF 2
DR:	R. PODLENA	<b>A</b>			
CH:			DO NOT SCALE DRAWING		
PROJECT #:		 			
DATE DR:	6/27/2001				